



Industrial



Test



Comm



Broadcast

60A Non-isolated SMT Point of Load with PMBus™



Features	Benefits
• Only 1.0 in ² Board Space	• Less Board Area
• PMBus™ Compliant (Read & Write)	• Configurable Sequence & Fault Management
• Surface Mountable	• No Hand Operation
• Digital Adaptive Control	• Stability with Various Output Impedance
• Parallel Operation with Current Sharing	• Address High Current Applications

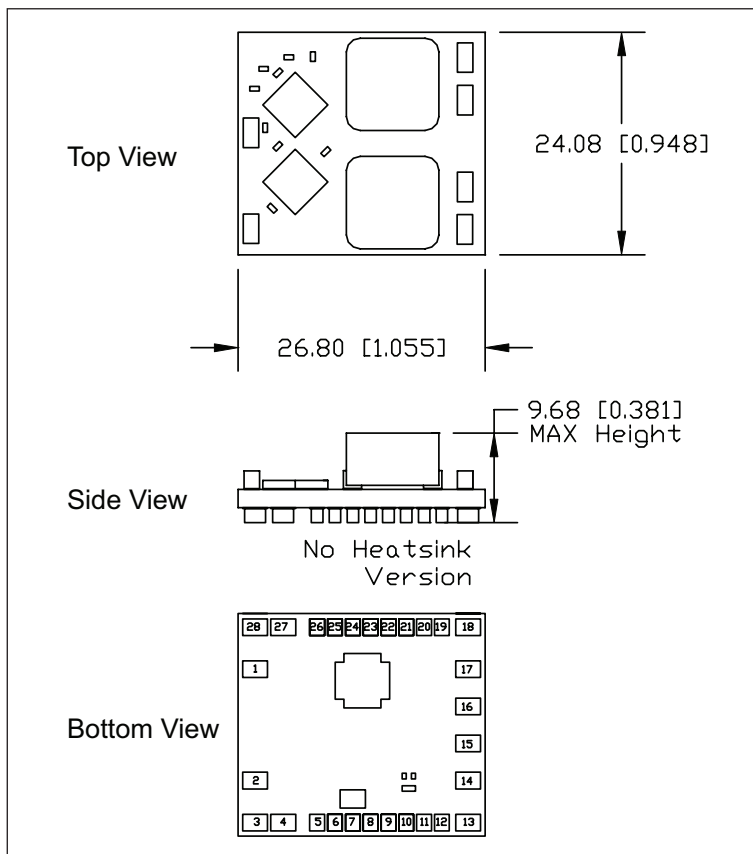
Specification			
Model		iJB12	
DC Output Voltage	V	0.6 - 2.0V	
DC Input Voltage	V	8 - 14V	
Efficiency	%	85 - 93%	
Output Voltage Tolerance	%	±1.2	
Line Regulation	mV	4 (Typical)	
Load Regulation	mV	4 (Typical)	
External Load Capacitance	uF	1000 - 5000	
Output Ripple and Noise	mVpp	20	
Overcurrent Protection (Typ)	A	65A - Autorecovery	
Remote On / Off	-	Negative Logic or Positive Logic (See model selector)	
Remote Sense	-	Yes	
Power Good	-	Yes	
Operating Temp	°C	-40 °C to 120 °C (see thermal data on website)	
Storage Temperature	°C	-55 °C to 125 °C	
Safety Agency Approvals	-	UL60950-1, CSA 22.2 No. 60950-1-03; VDE CB Scheme (IEC 60950-1, EN 60950-1)	
Weight	gms	12.2g	
Size (LxWxH)	mm	26.8 x 24.08 x 9.68	
Warranty	yrs	3	

Model Selector

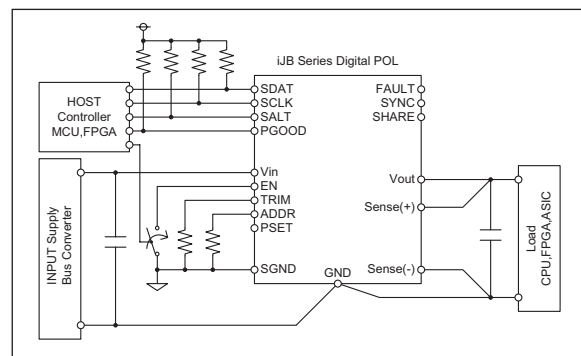
Model	Input Voltage (V)	Output Current (A)	Output Voltage (V)	Remote On/Off	OCP/OVP Recovery
iJB12060A006V-001-R (1)	8 - 14	60	0.6 - 2.0	Negative	Automatic
iJB12060A006V-002-R	8 - 14	60	0.6 - 2.0	Positive	Automatic
iJB12060A006V-003-R	8 - 14	60	0.6 - 2.0	Negative	Automatic

Note: (1) Standard Transient Response

Outline Drawing iJB Series



Typical Application Circuit iJB Series



Pin Assignment

PIN	Function	PIN	Function
1	+V Input	15	+V Output
2	+V Input	16	+V Output
3	Power Ground (0V)	17	+V Output
4	Power Ground (0V)	18	Power Ground (0V)
5	Signal Ground (0V)	19	PMBus Clock
6	Do not connect	20	PMBus Data
7	Output Trim	21	PMBus Alarm
8	PMBus Address	22	Remote On/Off
9	Do not connect	23	Fault Mgmt
10	Set Parallel Operation (PSET)	24	Power Good
11	+ Remote Sense	25	Current Share
12	- Remote Sense	26	Synchronize
13	Power Ground (0V)	27	Power Ground (0V)
14	+V Output	28	Power Ground (0V)



TDK-Lambda France SAS

ZAC des Delaches
CS 41077
9 rue Thuillere
91978 Villebon Courtaboeuf
France
Tel: +33 1 60 12 71 65
Fax: +33 1 60 12 71 66
france@tdk-lambda.com
www.fr.tdk-lambda.com



Italy Sales Office

Via dei Lavoratori 128/130
20092 Cinisello Balsamo (MI)
Italy
Tel: +39 02 61 29 38 63
Fax: +39 02 61 29 09 00
info.italia@it.tdk-lambda.com
www.it.tdk-lambda.com



Netherlands

info@nl.tdk-lambda.com
www.nl.tdk-lambda.com



TDK-Lambda Germany GmbH

Karl-Bold-Strasse 40
77855 Achern
Germany
Tel: +49 7841 666 0
Fax: +49 7841 5000
info.germany@de.tdk-lambda.com
www.de.tdk-lambda.com



Austria Sales Office

Aredstrasse 22
2544 Leobersdorf
Austria
Tel: +43 2256 655 84
Fax: +43 2256 645 12
info.germany@de.tdk-lambda.com
www.de.tdk-lambda.com



Switzerland Sales Office

Bahnhofstrasse 50
8305 Dietlikon
Switzerland
Tel: +41 44 850 53 53
Fax: +41 44 850 53 50
info@de.tdk-lambda.com
www.de.tdk-lambda.com



TDK-Lambda UK Ltd.

Kingsley Avenue
Ilfracombe
Devon EX34 8ES
United Kingdom
Tel: +44 (0) 12 71 85 66 66
Fax: +44 (0) 12 71 86 48 94
powersolutions@uk.tdk-lambda.com
www.uk.tdk-lambda.com



TDK-Lambda Ltd.

Kibbutz
Givat Hashlosha 48800
Israel
Tel: +9 723 902 4333
Fax: +9 723 902 4777
info@tdk-lambda.co.il
www.tdk-lambda.co.il



C.I.S.

Commercial Support:

Tel: +7 (495) 665 2627

Technical Support:

Tel: +7 (812) 658 0463

info@tdk-lambda.ru

www.tdk-lambda.ru

Local Distribution

