



Industrial



Test

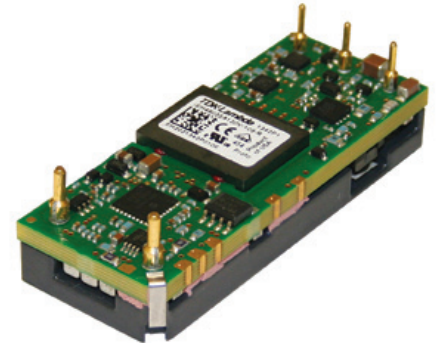


Comm



Broadcast

300-317W Eighth Brick Converter



Features	Benefits
300W in Eighth Brick package	Saves space on application board
Digital adaptive Control	For fast transient response
Up to 95.5% efficiency	Reduces system heat
Constant switching frequency	Predictable EMI
Baseplate cooling	Better system thermal management

Specification		iEH	
Model			
Nominal Output Voltage	VDC	10.8	12
Input Voltage Range	VDC	36-75	36-75*
Ripple & Noise (max) (pk-pk) (1)	mV	150	120
Line Regulation (max)	mV	50	60
Load Regulation (max)	mV	100	60
Overload Protection Threshold (3)	A	36	29.5
Overvoltage Protection (Typ) (2)	VDC	13.1	14.8
Overtemperature Protection (3)	-	Yes	
Remote On / Off	-	Negative Logic	
Temperature (operating)	°C	-40°C to 124°C	-40°C to 130°C
Temperature (storage)	°C	-55°C to 125°C	-55°C to 125°C
Humidity (operating)	%RH	20-95% RH Non condensing	
Humidity (storage)	%RH	10-95% RH Non condensing	
Cooling	-	Conduction, convection or forced air (see detailed datasheet for derating)	
Isolation Voltage	VDC	2250VDC Input to Output, 1500VDC Input to Baseplate	
Vibration (non operating)	-	5-50Hz @ 0.5g (4.9m/s ²), and 50-500Hz @ 1.5g (14.7m/s ²) per Bellcore TR-EOP-000063-5.4.4	
Shock	-	196.1m/s ²	
Safety Agency Approvals	-	UL60950 (US and Canada), CB scheme IEC 60950-1 (2nd edition) AM1, CE Mark EN 60950-1/A12	
Weight (max)	g	50	
Size	mm.	50.42 x 22.86 x 12.70	
Warranty	yrs	3	

Notes

*When operating below 40V input, the module will operate, but load regulation may be out of specification.

(1) See website for detailed specification and test methods.

(2) Latching

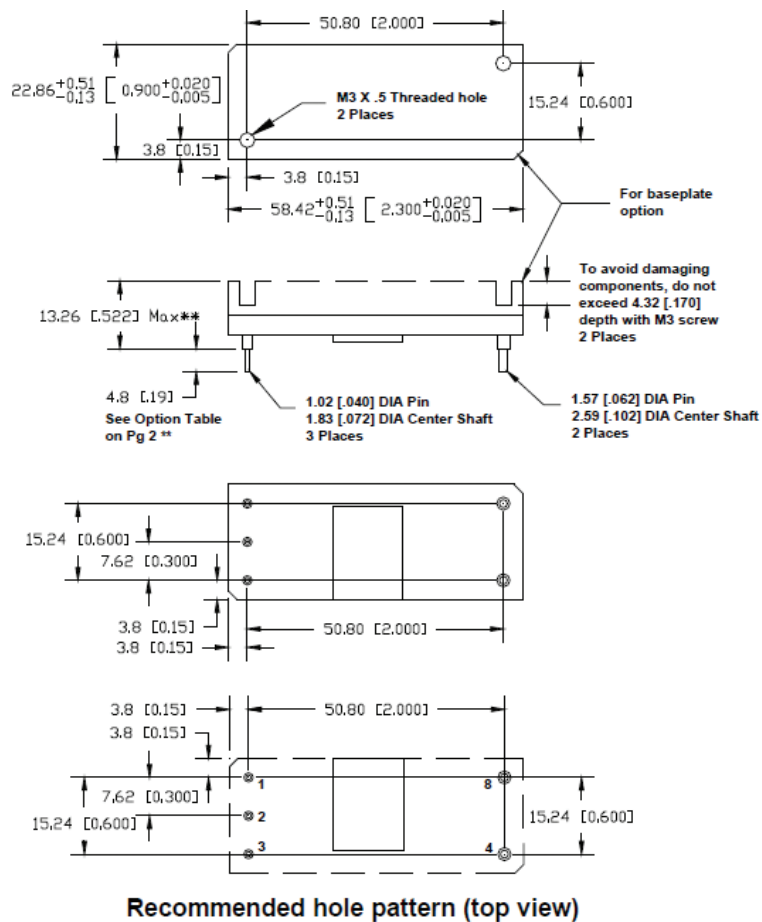
(3) Non-Latching

Model Selector

Model	Input Voltage (V)	Output Voltage (V)	Drop Share	Max. Curr. (A)	Max. Output Power (W)	Base Plate	OVP	Efficiency at Full Load (%)	Pin Length (in)
iEH48028A108V-103-R	36-75	10.8	No	28	300	Yes	Non-Latch	94	0.145
iEH48028A108V-109-R	36-75	10.8	No	28	300	Yes	Latch	94	0.190
iEH48025A120V-003-R	36-75	12	No	25	300	No	Non-Latch	94.6	0.145
iEH48025A120V-103-R	36-75	12	No	25	300	Yes	Non-Latch	94.6	0.145
iEH48025A120V-107-R	36-75	12	No	25	300	Yes	Non-Latch	94.6	0.190
iEH48025A120V-109-R	36-75	12	No	25	300	Yes	Latch	94.6	0.190

PREFERRED MODEL

Outline Drawing iEH Series



Pin Assignment

PIN	Function	PIN	Function
1	Vin (+)	5	None
2	On / Off	6	None
3	Vin (-)	7	None
4	Vo (-)	8	Vo (+)



TDK-Lambda France SAS

ZAC des Delaches
CS 41077
9 rue Thuillere
91978 Villebon Courtaboeuf
France
Tel: +33 1 60 12 71 65
Fax: +33 1 60 12 71 66
france@tdk-lambda.com
www.fr.tdk-lambda.com



Italy Sales Office

Via dei Lavoratori 128/130
20092 Cinisello Balsamo (MI)
Italy
Tel: +39 02 61 29 38 63
Fax: +39 02 61 29 09 00
info.italia@it.tdk-lambda.com
www.it.tdk-lambda.com



Netherlands

info@nl.tdk-lambda.com
www.nl.tdk-lambda.com



TDK-Lambda Germany GmbH

Karl-Bold-Strasse 40
77855 Achern
Germany
Tel: +49 7841 666 0
Fax: +49 7841 5000
info.germany@de.tdk-lambda.com
www.de.tdk-lambda.com



Austria Sales Office

Aredstrasse 22
2544 Leobersdorf
Austria
Tel: +43 2256 655 84
Fax: +43 2256 645 12
info.germany@de.tdk-lambda.com
www.de.tdk-lambda.com



Switzerland Sales Office

Bahnhofstrasse 50
8305 Dietlikon
Switzerland
Tel: +41 44 850 53 53
Fax: +41 44 850 53 50
info@de.tdk-lambda.com
www.de.tdk-lambda.com



TDK-Lambda UK Ltd.

Kingsley Avenue
Ilfracombe
Devon EX34 8ES
United Kingdom
Tel: +44 (0) 12 71 85 66 66
Fax: +44 (0) 12 71 86 48 94
powersolutions@uk.tdk-lambda.com
www.uk.tdk-lambda.com



TDK-Lambda Ltd.

Kibbutz
Givat Hashlosha 48800
Israel
Tel: +9 723 902 4333
Fax: +9 723 902 4777
info@tdk-lambda.co.il
www.tdk-lambda.co.il



C.I.S.

Commercial Support:
Tel: +7 (495) 665 2627
Technical Support:
Tel: +7 (812) 658 0463
info@tdk-lambda.ru
www.tdk-lambda.ru

Local Distribution

