



Industrial



Test



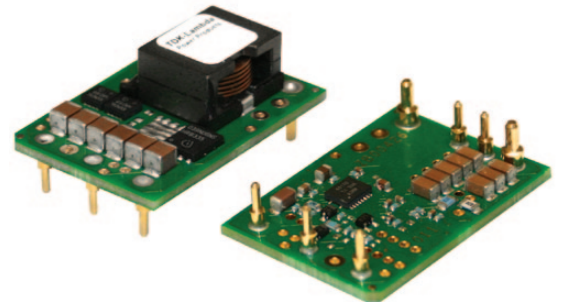
Comm



Broadcast

## 75W, 9 to 40V Input Non-isolated DC-DC Converter with Negative Output

Features	Benefits
• Polarity Inversion	• Provides Negative Outputs
• High efficiency up to 94%	• Easier Thermal Management
• Wide Output Adjustment -3.3 to -30V	• Address Multiple Applications
• Minimal External Components Needed	• Less Board Area Required



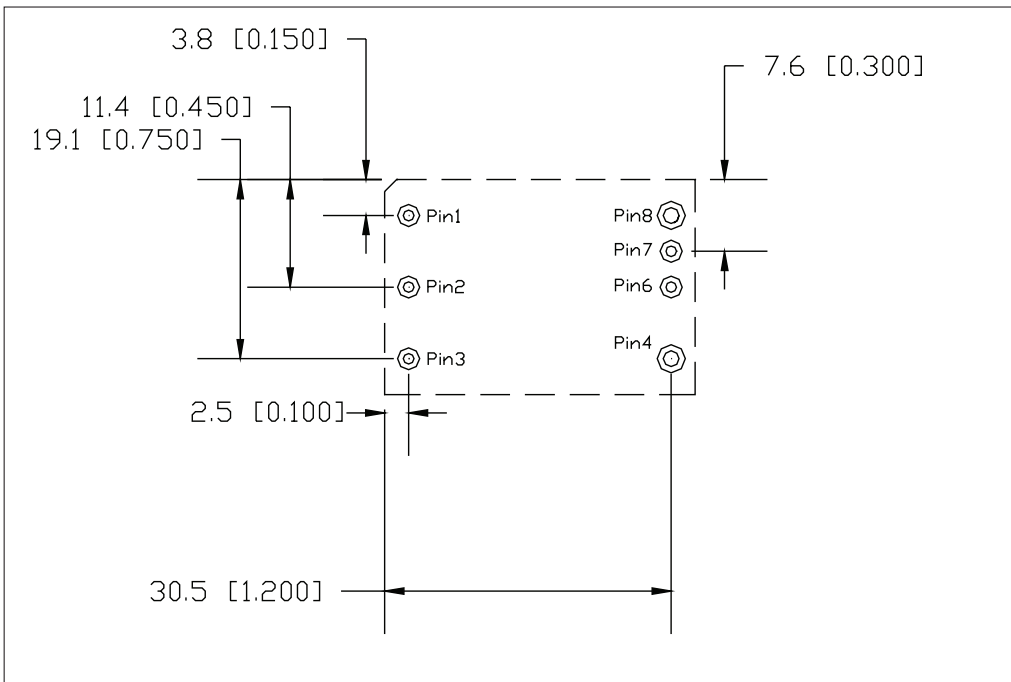
Specification		6A24-N
DC Output Voltage	V	-3.3 to -30
DC Output Power (max)	W	75
DC Input Voltage	V	9 to 40 (Turn on at 10V or greater)
Efficiency	%	90 - 94
Output Voltage Tolerance	%	±4
Switching Frequency	kHz	400
Line Regulation	%	0.5
Load Regulation	%	0.6
External Load Capacitance	uF	200 - 1600
Output Ripple and Noise	mVpp	20
Overcurrent Protection	A	15
Remote On / Off	-	See options table
Remote Sense	-	(-) Sense, compensating up to 0.5% of output voltage
Operating Temperature	°C	-40°C to +125°C (see thermal data on website)
Storage Temperature	°C	-55°C to +125°C
Safety Agency Certifications	-	Pending
Weight	g	15g
Size (LxWxH)	mm	33 x 22.9 x 12.7
Warranty	yrs	3

## Model Selector

Input Model	Input Voltage (V)	Output Current (A)	Output Voltage (V)	Positive Logic On/Off	Negative Logic On/Off
i6A24008A033V-N00-R	+9 to +40	8	-3.3 to -30	Yes	-
i6A24008A033V-N01-R	+9 to +40	8	-3.3 to -30	-	Yes

Preferred

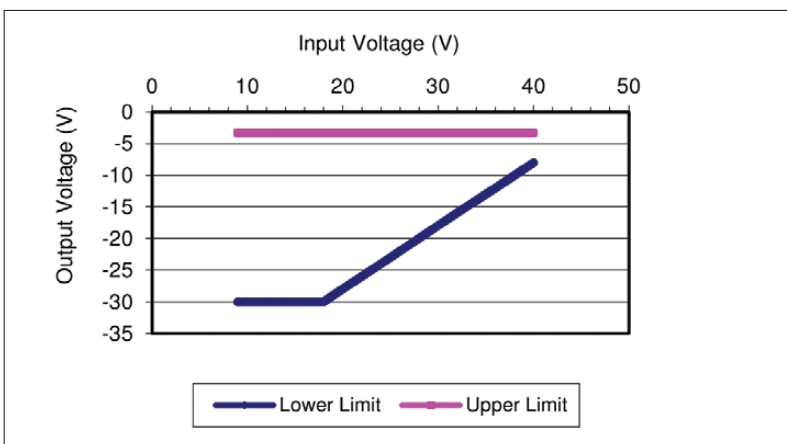
## Outline Drawing i6AN Series



## Pin Assignment

PIN	Function	PIN	Function
1	VIN (+)	6	TRIM
2	ON / OFF	7	SENSE
3	VOUT (-)	8	VIN (-), VOUT (+)
4	VOUT (-)		

## i6AN Series Output Voltage v's Input Voltage Operating Range





## TDK-Lambda France SAS

3 Avenue du Canada  
 Parc Technopolis  
 Bâtiment Sigma  
 91940 les Ulis  
 France  
 Tel: +33 1 60 12 71 65  
 Fax: +33 1 60 12 71 66  
[france@tdk-lambda.com](mailto:france@tdk-lambda.com)  
[www.fr.tdk-lambda.com](http://www.fr.tdk-lambda.com)



## Italy Sales Office

Via dei Lavoratori 128/130  
 20092 Cinisello Balsamo (MI)  
 Italy  
 Tel: +39 02 61 29 38 63  
 Fax: +39 02 61 29 09 00  
[info.italia@it.tdk-lambda.com](mailto:info.italia@it.tdk-lambda.com)  
[www.it.tdk-lambda.com](http://www.it.tdk-lambda.com)



## Netherlands

[info@nl.tdk-lambda.com](mailto:info@nl.tdk-lambda.com)  
[www.nl.tdk-lambda.com](http://www.nl.tdk-lambda.com)



## TDK-Lambda Germany GmbH

Karl-Bold-Strasse 40  
 77855 Achern  
 Germany  
 Tel: +49 7841 666 0  
 Fax: +49 7841 5000  
[info.germany@de.tdk-lambda.com](mailto:info.germany@de.tdk-lambda.com)  
[www.de.tdk-lambda.com](http://www.de.tdk-lambda.com)



## Austria Sales Office

Aredstrasse 22  
 2544 Leobersdorf  
 Austria  
 Tel: +43 2256 655 84  
 Fax: +43 2256 645 12  
[info@at.tdk-lambda.com](mailto:info@at.tdk-lambda.com)  
[www.de.tdk-lambda.com](http://www.de.tdk-lambda.com)



## Switzerland Sales Office

Bahnhofstrasse 50  
 8305 Dietlikon  
 Switzerland  
 Tel: +41 44 850 53 53  
 Fax: +41 44 850 53 50  
[info@ch.tdk-lambda.com](mailto:info@ch.tdk-lambda.com)  
[www.de.tdk-lambda.com](http://www.de.tdk-lambda.com)



## Nordic Sales Office

Haderslevvej 36B  
 DK-6000 Kolding  
 Denmark  
 Tel: +45 2911 9556  
[info@dk.tdk-lambda.com](mailto:info@dk.tdk-lambda.com)



## TDK-Lambda UK Ltd.

Kingsley Avenue  
 Ilfracombe  
 Devon EX34 8ES  
 United Kingdom  
 Tel: +44 (0) 12 71 85 66 66  
 Fax: +44 (0) 12 71 86 48 94  
[powersolutions@uk.tdk-lambda.com](mailto:powersolutions@uk.tdk-lambda.com)  
[www.uk.tdk-lambda.com](http://www.uk.tdk-lambda.com)



## TDK-Lambda Ltd.

Kibbutz  
 Givat Hashlosha 48800  
 Israel  
 Tel: +9 723 902 4333  
 Fax: +9 723 902 4777  
[info@tdk-lambda.co.il](mailto:info@tdk-lambda.co.il)  
[www.tdk-lambda.co.il](http://www.tdk-lambda.co.il)



## C.I.S.

**Commercial Support:**  
 Tel: +7 (495) 665 2627  
**Technical Support:**  
 Tel: +7 (812) 658 0463  
[info@tdk-lambda.ru](mailto:info@tdk-lambda.ru)  
[www.tdk-lambda.ru](http://www.tdk-lambda.ru)

## Local Distribution

