



## 250W Medical / ITE External Power Supplies



Features	Benefits
• Meets DoE Level VI & EU Tier 2 Efficiency	• Easier System Design
• Medical & ITE Certifications	• Suitable for B & BF Rated Systems
• < 0.15W Off-load Power Draw	• Consumes Less Energy
• Meets IEC60601-1-2 Ed4	• Simplifies Equipment Design

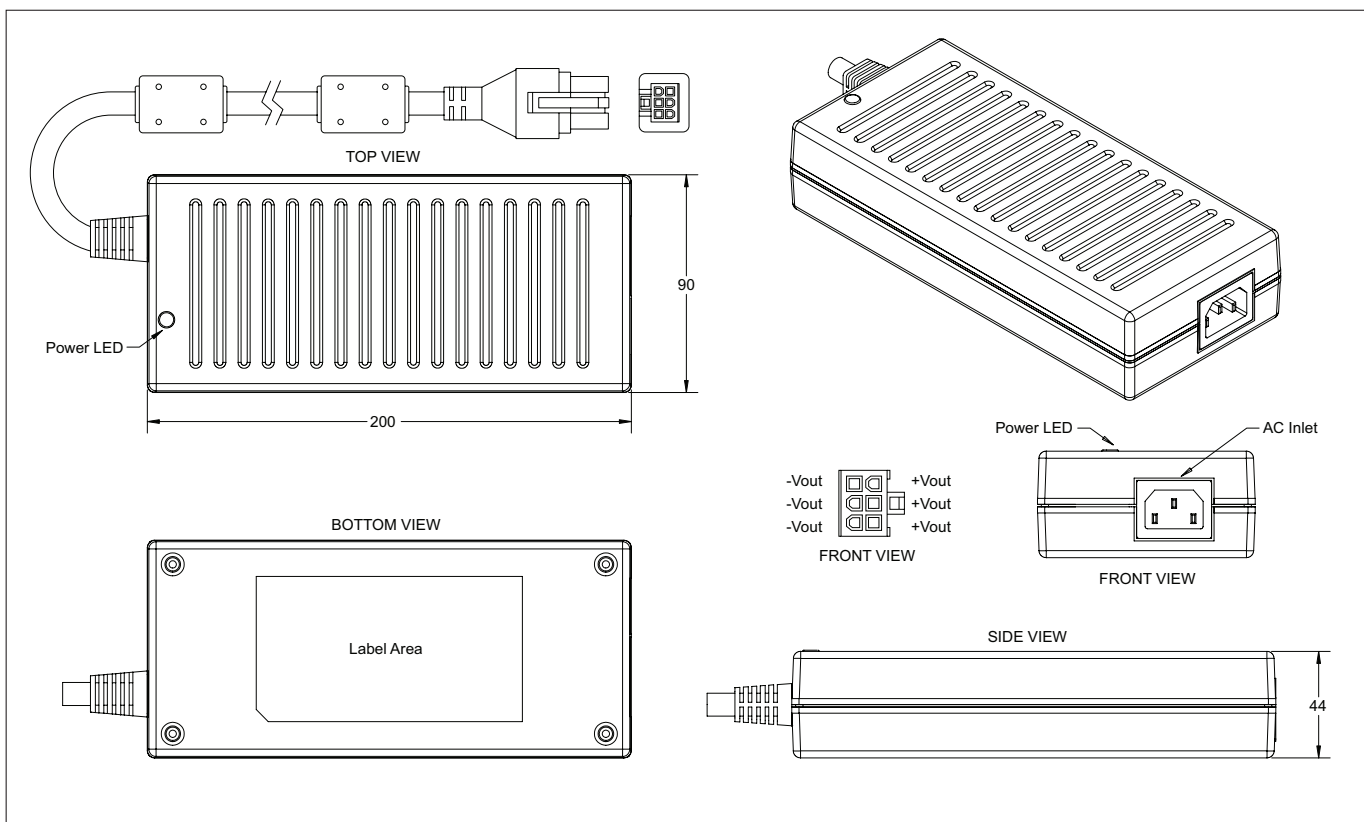
Specification		DTM250-D
<b>Model</b>		<b>DTM250-D</b>
Input Voltage range	VAC	90 - 264VAC (47 - 63Hz)
Inrush Current	A	<80A at 230VAC input, 25°C ambient cold start
Input Current	A	2.5A @115VAC; 1.3A @230VAC Maximum
Touch Current	-	<100uA @ 264VAC
Power Factor	-	Meets EN61000-3-2, >0.9 at 230VAC full load
Hold Up Time (Typ)	ms	10ms at 115VAC input
Temperature Coefficient	%/°C	±0.05%/°C
Adjustment Range	-	None
Minimum Load	A	None
Total Regulation	%	±5%
Ripple & Noise (pk-pk)	mV	12V: 240mV, 19 - 54V: 300mV
Overload & Short Circuit Protection	-	105 - 160% - hiccup mode
Overvoltage Protection	V	Cycle input power to reset
Efficiency	%	>89%, average efficiency
Operating Temperature	°C	-20°C to +60°C derate linearly to 50% load from 40°C to 60°C Derate linearly to 80% load from 0°C to -20°C
Storage Temperature	°C	-20°C to +85°C
Humidity (non condensing)	%RH	0 - 95%RH
Cooling	-	Convection
Withstand Voltage	VAC	Input to Output 4kVAC (2xMoPP), Input and Output to Ground 1.5kVAC (1xMoPP)
Safety Agency Certification	-	IEC/ES/CSA/EN60601-1, IEC60601-1-11, IEC/UL/CSA/EN60950-1, CE Mark
Offload Power Consumption	W	< 0.15W
EMC	-	IEC60601-1-2 Ed4:2014, EN55011 Class B, EN55032 Class B, FCC Part 15 Class B, FCC Part 18 Class B
Altitude	m	5,000m maximum
Weight (Typ)	g	1300g
Size (WxLxH)	(mm)	90 x 200 x 45mm
Cable Length	mm	800mm
AC Input Connector	-	IEC 320-C14 (3 prong)
Output Mating Connector	-	Molex Mini Fit 39-28-1063 or equivalent; Pins 1 - 3: -Vout, Pins 4 - 6: +Vout
Warranty	yrs	3

**Notes:** Other connectors are available. Contact factory.

## Model Selector

Model	Output (V)	Maximum Output (A)	Maximum Power (W)
DTM250PW120D	12V	20.83A	250W
DTM250PW190D	19V	13.157A	250W
DTM250PW240D	24V	10.416A	250W
DTM250PW280D	28V	8.928A	250W
DTM250PW360D	36V	6.94A	250W
DTM250PW480D	48V	5.208A	250W
DTM250PW540D	54V	4.629A	250W

## Outline Drawing DTM250-D Series





## TDK-Lambda France SAS

3 Avenue du Canada  
Parc Technopolis  
Bâtiment Sigma  
91940 les Ulis  
France  
Tel: +33 1 60 12 71 65  
Fax: +33 1 60 12 71 66  
france@fr.tdk-lambda.com  
www.fr.tdk-lambda.com



## Italy Sales Office

Via Giacomo Matteotti 62  
20092 Cinisello Balsamo (MI)  
Italy  
Tel: +39 02 61 29 38 63  
Fax: +39 02 61 29 09 00  
info.italia@it.tdk-lambda.com  
www.it.tdk-lambda.com



## Netherlands

info@nl.tdk-lambda.com  
www.nl.tdk-lambda.com



## TDK-Lambda Germany GmbH

Karl-Bold-Strasse 40  
77855 Achern  
Germany  
Tel: +49 7841 666 0  
Fax: +49 7841 5000  
info.germany@de.tdk-lambda.com  
www.de.tdk-lambda.com



## Austria Sales Office

Aredstrasse 22  
2544 Leobersdorf  
Austria  
Tel: +43 2256 655 84  
Fax: +43 2256 645 12  
info@at.tdk-lambda.com  
www.de.tdk-lambda.com



## Switzerland Sales Office

Eichtalstrasse 55  
8634 Hombrechtikon  
Switzerland  
Tel: +41 44 850 53 53  
Fax: +41 44 850 53 50  
info@ch.tdk-lambda.com  
www.de.tdk-lambda.com



## Nordic Sales Office

Haderslevvej 36B  
DK-6000 Kolding  
Denmark  
Tel: +45 8853 8086  
info@dk.tdk-lambda.com



## TDK-Lambda UK Ltd.

Kingsley Avenue  
Ilfracombe  
Devon EX34 8ES  
United Kingdom  
Tel: +44 (0) 12 71 85 66 66  
Fax: +44 (0) 12 71 86 48 94  
powersolutions@uk.tdk-lambda.com  
www.uk.tdk-lambda.com



## TDK-Lambda Ltd.

1 Alexander Yanai  
Segula  
Petah-Tikva  
Israel  
Tel: +9 723 902 4333  
Fax: +9 723 902 4777  
info@tdk-lambda.co.il  
www.tdk-lambda.co.il



## C.I.S.

### Commercial Support:

Tel: +7 (495) 665 2627

### Technical Support:

Tel: +7 (812) 658 0463

info@tdk-lambda.ru

www.tdk-lambda.ru

## Local Distribution

